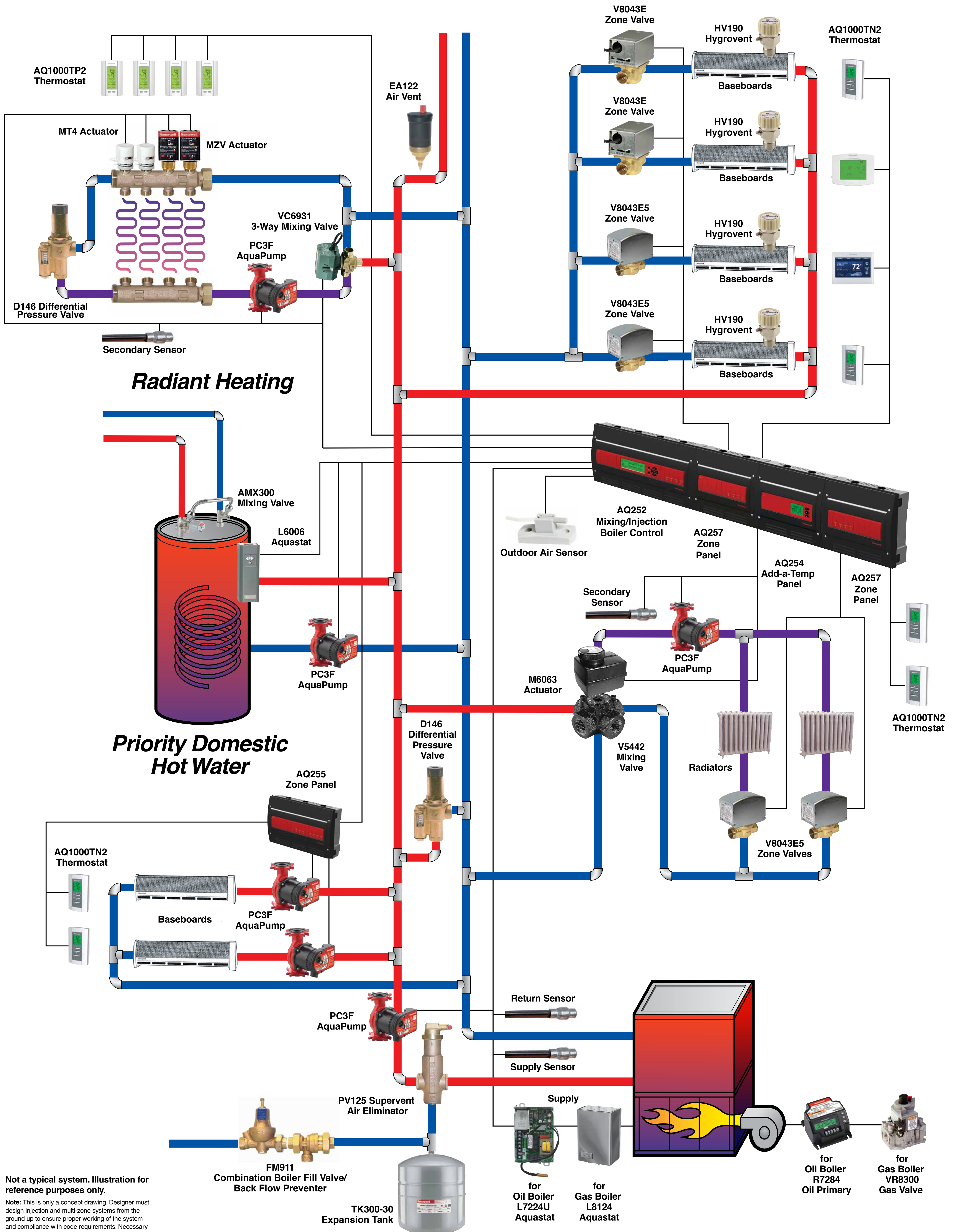


## Hydronic Controls for Multi-Zone System

Honeywell makes a wide variety of controls for traditional hydronic heating systems. This concept drawing shows various components that can be used in zoned hydronic systems.



Not a typical system. Illustration for reference purposes only.

Note: This is only a concept drawing. Designer must design injection and multi-zone systems from the ground up to ensure proper working of the system and compliance with code requirements. Necessary auxiliary equipment and safety devices must be used.

\*Picture courtesy Runtal North America.