

Honeywell

SUBMITTAL
DATA/INSTRUCTION
SHEET SD/IS 1070

EFFECTIVE
May 2007



AM-1 1070 SERIES

**PROPORTIONAL THERMOSTATIC MIXING VALVE
PATENTED, 1070, 1017 CERTIFICATION, IAPMO, AND CSA LISTED IN ONE
VALVE**

SUBMITTAL DATA APPROVAL SHEET

For: _____
Job: _____
Date submitted: _____ by: _____
Date approved: _____ by: _____
Model number: _____ quantity: _____
Model number: _____ quantity: _____
Model number: _____ quantity: _____

INSTALLER

1. Write hand wheel setting on CAUTION label and sign in space provided.
2. Attach CAUTION label to AM-1 1070 Valve.
3. Explain CAUTION label to owner.
4. Deposit this instruction sheet with owner.

ASSE 1070 APPLICATIONS-POINT OF USE:

Individual showers, baths, or a combination of, automatic faucets, nursing homes, public facilities and wherever ASSE 1070 valves are required.

MODEL NUMBER	SIZE	Cv	Union Connection	A	B	C
AM100C1070-US-1 AM101C1070-US-1 AM102C1070-US-1	1/2" 3/4" 1"	1.8	Sweat Sweat Sweat	3.2	2.7 2.9 3.5	4.4 4.9 6.1
AM100C1070-UT-1 AM101C1070-UT-1 AM102C1070-UT-1	1/2" 3/4" 1"	1.8	Threaded Threaded Threaded	3.2	2.9 3.8 3.9	4.8 6.5 7.0
AM100C1070-UCPVC-1 AM101C1070-UCPVC-1	1/2" 3/4"		CPVC CPVC		3.0 3.0	5.1 5.1
AM100C1070-UPEX-1 AM101C1070-UPEX-1	1/2" 3/4"	1.8	PEX PEX	3.2	3.1 3.1	5.3 5.3
AM100C1070-UC-1 AM101C1070-UC-1	1/2" 3/4"		Compression Compression		3.9 4.1	6.6 7.2

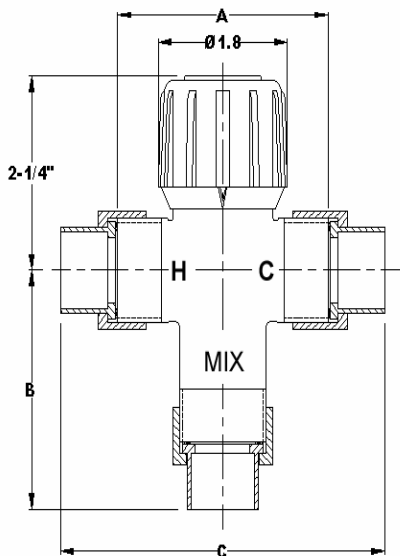
SPECIFICATION

Dual certification ASSE 1070 and ASSE 1017

- CSA Approved
- Constant water temperature under different operating conditions.
- Proportional valve (simultaneous control of hot and cold water).
- Thermal shock protection at correct setting.
- Lockable hand wheel (loosen top screw and lift hand wheel to adjust mixing valve).

PRODUCT INFORMATION:

- **Temperature range 70 – 120 °F**
- Maximum flow 10 Gpm; Minimum flow 0.5 Gpm
- Nickel plated brass/bronze construction, EPDM O-rings.
- Straight thru design (hot and cold at same level).
- Maximum working pressure 125 psi.
- Maximum hot water supply temperature 212 ° F
- Designed for easy maintenance and element replacement
- Sweat, Threaded, CPVC, PEX and Compression connections available.
- **Teflon® coated spool and body to prevent mineral buildup and extend life.**
- Minimum required temperature difference between hot and mix 3°F.
- **Made in USA.**



VALVE ADJUSTMENT: To adjust temperature setting of the mixing valve. Loosen hand wheel screw, lift handwheel and turn to desired temperature, push the hand wheel on and retighten screw.

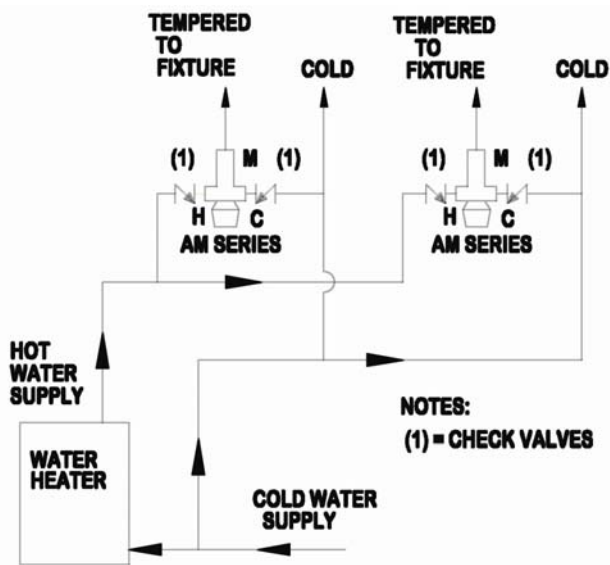
APPLICATION INFORMATION:

For domestic hot water applications the mix temperature upper limit must not exceed a temperature of 120° F to prevent scalding.

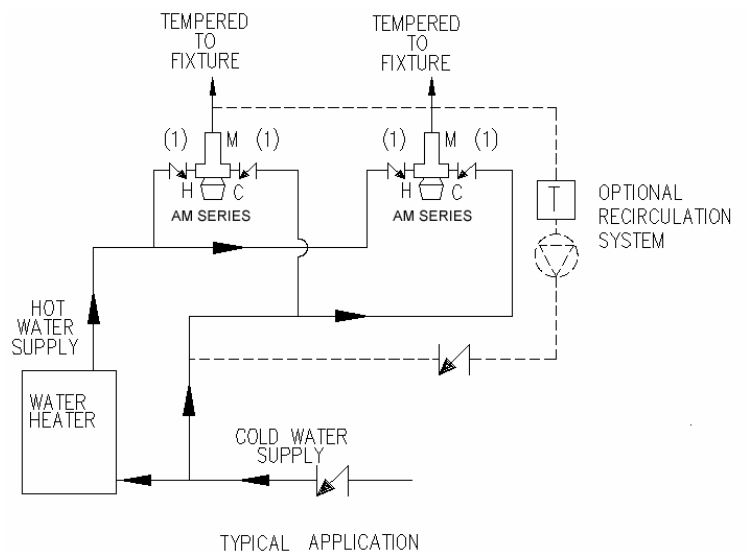
NOTE TO INSTALLER: This product should be installed by a qualified individual, in accordance with local codes and ordinances. It is the responsibility of the installer to properly select, install and adjust these devices as specified in these instructions. For installations, which require compliance with Building/Mechanical/Plumbing Codes, the appropriate AM-1 Series Valve must be chosen and installed, and the discharge temperature set and locked according to these instructions. These models shall be used to supply water to tubs, showers, bathing facilities and other outlets. These valves should be installed where they will be accessible for cleaning, servicing or adjustment.

Note: Pressure difference between Hot and Cold ports should not exceed 10 psi.

INSTALLATION ASSE 1070 APPLICATIONS: These AM-1 1070 models can be installed in any position consistent with the intended use. The AM-1 1070 shall be installed as shown in the following figure. Check valves, as indicated, may be installed, to prevent migration of hot water into the cold branch, and cold water into the hot branch through the AM-1 1070 Valve. **Sweat union connections (if used) should be soldered prior to assembly to the valve, or without the sealing gasket or optional plastic check valve present. After the joint has cooled, the sealing gasket and / or check valves may be installed.**



AM SERIES ASSE 1070 – TWO HANDLE FIXTURES

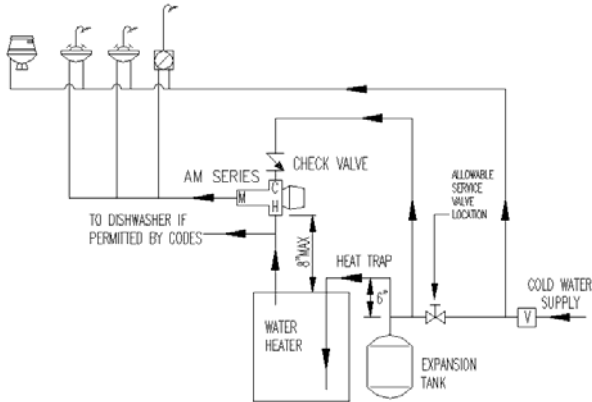


AM SERIES ASSE 1070 – HANDLESS FIXTURES

1. DOMESTIC WATER MIXING (TEMPERING) (ASSE1017)(SOURCE OF HOT WATER)

Use when water temperature produced by heater is hotter than designed at point of use. Many codes require that water supplied to the system be limited to 120°F max.

1.1 WATER HEATER WITHOUT RECIRCULATION



SYMBOLS

1 = Check Valve/Flow Check

2 = Alternate Pump Location

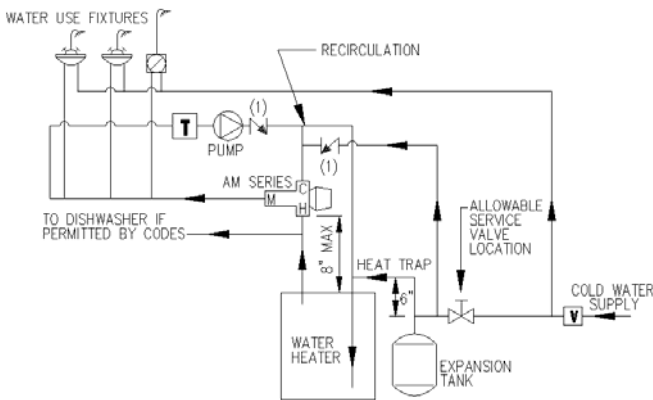
V = Any device which turns the domestic water system into a closed system such as; backflow preventers, check valves or pressure reducing valves.

T = Pump Control Thermostats

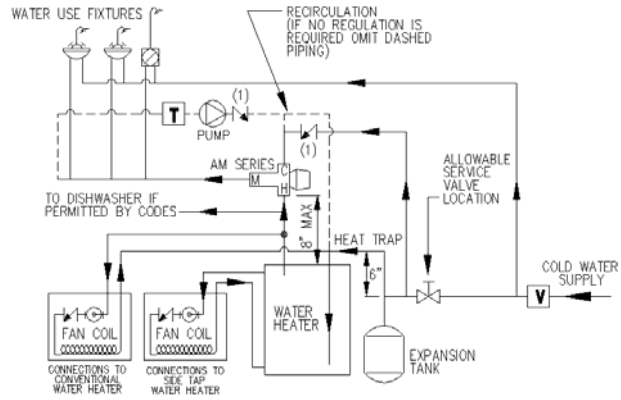
NOTES:

- "V" is optional depending on local codes. If a "V" type valve is used, it is mandatory that a thermal expansion tank be installed as shown. Otherwise, dangerously high pressures could result or water heater safety relief valve will frequently expel water. If no "V" device is used, the thermal expansion tank is not required.
- Install recirculation pump between last fixture and water heater, as shown in 1.2 and 1.3.
- Use a pump control thermostat where shown. recirculation pump should not run continuously.

1.2 WATER HEATER WITH RECIRCULATION



1.3 WATER HEATER USED FOR DOMESTIC WATER AND HEATING



OPERATION: The AM-1 1070 Series valve provides for automatic operation through the use of a thermostatic element in the product. The element will control the mixing of the hot and cold supply waters to provide mixed, tempered, water to connected fixtures. This provides constant water temperature under different working conditions.

Thermostrip temperature indicator easily indicates water temperature (110 °F -140 °F) for accurate control and quick set-ups.

Thermostrip installation instructions: Clean pipe to mix outlet of valve and firmly apply Thermostrip. Flow water and adjust mixed outlet temperature for desired setting range. Actual mixed water temperature is indicated in green with 2 degree F and one-degree C increments. Blue means slightly lower and brown slightly higher.

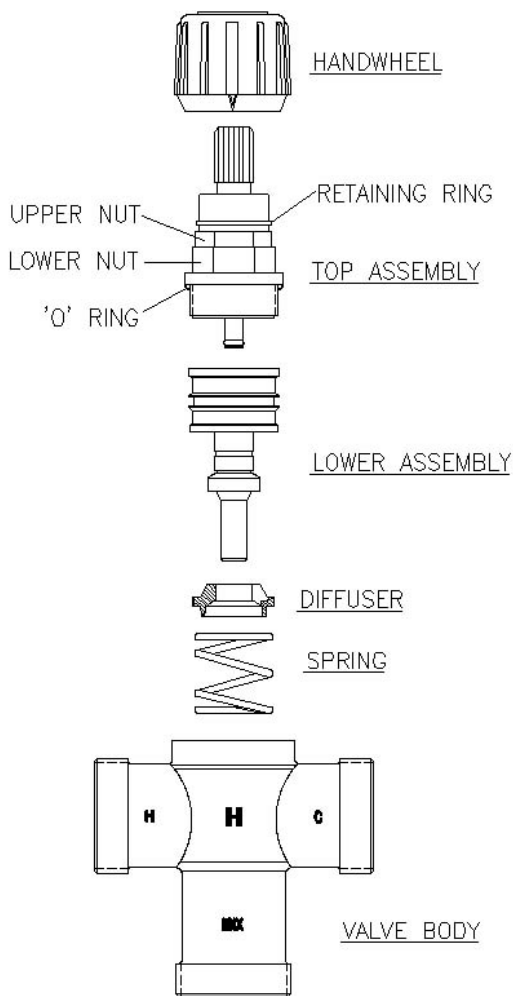
Warning: Water temperatures above 120F/49C can cause serious injury. Mixing valve temperature setting should be done by licensed contractor per local code requirement. **To ensure correct temperature control use water thermometer at faucet outlet.**

Thermal temperature indicator strip is One Time use only for initial system temperature setting. Check date code printed on temperature strip to ensure temperature reading accuracy.



VALVE MAINTENANCE - Hard water conditions may result in scale deposits causing binding of internal parts in extreme cases. Cleaning the internal parts will usually restore the valve operating conditions. In some cases it may be necessary to replace the lower assembly.

EXPLODED VIEW



To clean and/or replace the lower assembly shut off water and:

1. With a screwdriver remove screw and hand wheel.
2. Unscrew lower nut (counter clockwise). This removes top assembly.
3. Brass top assembly will pop up. Remove lower assembly, diffuser and spring.
4. Carefully remove any scaling (calcium deposits) or foreign particles from valve seat and other internal parts. Use vinegar to remove calcium. Soak parts until calcium becomes soft and can be scrubbed and washed off.

Do not use solvents or scratch metallic / Teflon coated surfaces.

5. Replace cleaned spring, diffuser and lower assembly following instructions below or use new replacement kit assembly.
 - A. Insert spring onto diffuser.
 - B. Insert diffuser with spring end first into body.
 - C. Fit valve top assembly into lower assembly and insert into valve. Tighten lower nut. Line up arrow on Handwheel Stop with raised arrow on body and hold while tightening upper nut.
 - D. Place handwheel on valve
 - E. Turn handwheel to desired temperature setting and insert screw.

TYPICAL SPECIFICATION: Thermostatic Mixing Valve Certified to ASSE 1017, ASSE 1070 and CSA approved with Anti-scald capability. Temperature Setting Range (as required see page one), Maximum Pressure rating of 125 PSI, Maximum Hot inlet temperature of 212°F, Nickel plated Brass/Bronze construction, Teflon coated valve body wear surface, Teflon coated brass shuttle, EPDM O-rings, proportional design (simultaneous control of hot and cold ports), with either sweat union, NPT (female) union or NPT (female) connections. Valve for domestic hot water applications shall have temperature lock. Design shall be straight thru, with hot and cold ports at the same level. The design shall permit easy access for maintenance, with replaceable thermostatic element.

Thermostatic Element Replacement Kit – AM-1-030 RP

The AM-1 Series valves are “in-line” plumbing components (NSF 61 Section 8) in the context of ANSI/NSF 61, Drinking Water System Components - Health Effects. They are not end point devices (NSF 61 Section 9). They are all made of various metals, none of which exceeds 8% lead content, which is the limit imposed by NSF 61 for lead content. They all therefore comply with the Safe Drinking Water Act of 1974, as amended in 1996.