

TheraPro HR90

ELECTRONIC RADIATOR CONTROLLER

SUBMITTAL SHEET



APPLICATION

The Honeywell TheraPro HR90 is a 7-day programmable electronic radiator controller used for stand-alone temperature control of a radiator. For use with hot water systems.

FEATURES

- Adjustable, Backlit display
- Operation/Child Lock
- 7-day “arm-chair” programming
- Auto frost protection
- Party/Holiday Mode
- 3 Factory pre-settings
- Temperature limitation min/max
- Temperature-Offset
- Copy programs between multiple controllers
- Fail-safes open
- 2-3 year average battery life
- Secure locking screw to radiator valve

ENERGY SAVINGS

The TheraPro HR90 helps keep heating costs under control. It automatically regulates the heating valve via electronic time programs and can be programmed according to a daily routine. The device also comes with an ECO saving mode which lowers the ambient temperature by 5F to reduce energy consumption.

SPECIFICATIONS

| ELECTRICAL DATA | |
|-----------------------------|---|
| Power supply | Battery or chargeable batteries |
| Battery Type | LR6, AA, AM3 2x Alkaline Mignon 1.5V Alternative: 2x Lithium 1.5V 2x NiMH 1.2V chargeable batteries |
| Backlight display | Text based display 9 characters 1-3/16" x 1-1/32" (BxH) |
| ENVIRONMENTAL AND STANDARDS | |
| Environmental temperature | 32 to 122 °F (0 to +50 °C) |
| Storage temperature | -4 to 131 °F (-20 to +55 °C) |
| Humidity | 0-90% RH |
| TEMPERATURE CONTROL | |
| Internal Sensor | NTC |
| MECHANICAL DATA | |
| Dimensions (HxWxD) | 2-23/64" x 2-1/8" x 3-25/32" |
| Material | PC |
| IP Class | IP 30 |
| Valve connection | M30 x 1.5 |
| Stroke Range | 4 mm |
| Full Stroke Cycle | 1.1mm |
| OPTION | |
| Copy cable | ACC90* |
| CERTIFICATION | |
| Standards | CE Konformität, RoHS |

* The Honeywell ACC90 cable must be used to copy programs. Use of any other cable may damage the device.

Job Name _____
 Engineer _____
 Mechanical Contractor _____
 Contractor's P.O. No. _____
 Representative _____
 Notes _____

Model(s)
 H90 Qty. _____ Notes _____
 Valve Body Qty. _____ Part # _____
 Approval _____
 Service _____
 Tag No. _____



MOUNTING COMPATABILITY

The TheraPro HR90 can be mounted on all common thermostatic valves with a M30x1.5 connection without draining system. It is fully compatible with Honeywell M30x1.5 and Danfoss RA2000 valve bodies. (See Table 1 for details on Honeywell M30x1.5 valves.) Adapters are required for some valve types.

| Part Number | Pipe Size | Body Pattern | Connection Type | Dimensions |
|-------------|-----------|------------------|-----------------|------------|
| V2040ASL15 | 1/2" | Horizontal Angle | Threaded | Fig. 1 |
| V2040ASL20 | 3/4" | Horizontal Angle | Threaded | Fig. 1 |
| V2040ASL25 | 1" | Horizontal Angle | Threaded | Fig. 1 |
| V2040DSL15 | 1/2" | Straight | Threaded | Fig. 2 |
| V2040DSL20 | 3/4" | Straight | Threaded | Fig. 2 |
| V2040DSL25 | 1" | Straight | Threaded | Fig. 2 |
| V2040ESL15 | 1/2" | Angle | Threaded | Fig. 3 |
| V2040ESL20 | 3/4" | Angle | Threaded | Fig. 3 |
| V2040ESL25 | 1" | Angle | Threaded | Fig. 3 |

Table 1. Honeywell M30x1.5 Valves.

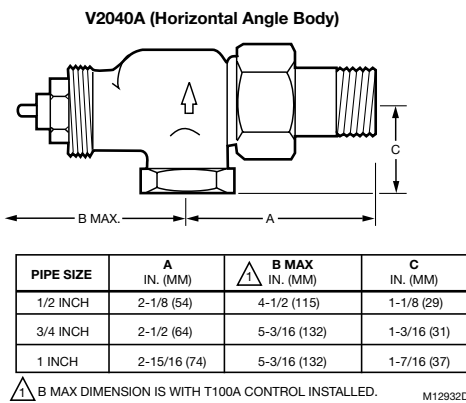


Fig. 1. V2040A Dimensions.

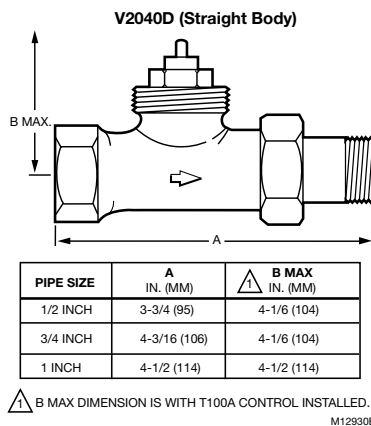


Fig. 2. V2040D Dimensions.

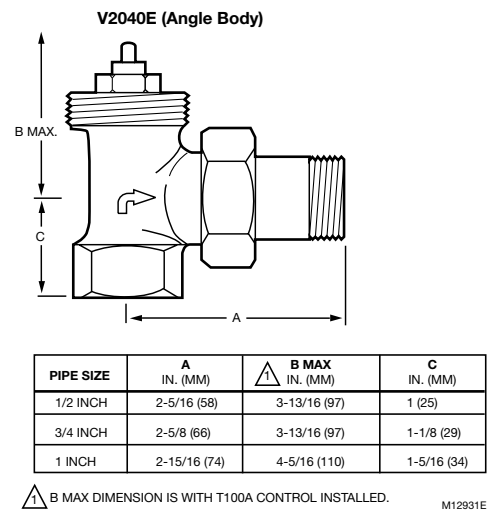


Fig. 3. V2040E Dimensions.

EASY TO INSTALL

The TheraPro HR90 radiator thermostat can be easily installed on all standard radiator valves with an M30 x 1.5 connection, without causing any soiling or water stains. Ready to go in a few steps:

1. Insert battery
2. Set language, time and date
3. Remove old thermostat cap
4. Mount adapter if necessary
5. Mount valve attachment
6. Mount TheraPro HR90